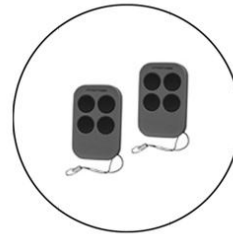
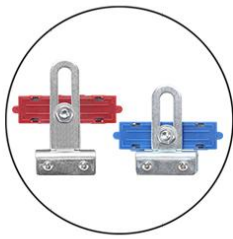


Automatic Sliding Gate Opener

User's Manual



Contents

1. Summary	1
2. Appearance and dimensions	1
3. Parameters	1
4. Features of sliding gate opener	2
5. Installation of mechanical parts	2
5.1 Installation of motor base plate	2
5.2 Installation of gate opener	2
5.3 Installation of racks	3
5.4 Installation of limit magnet	3
5.5 Function of clutch	4
6. Control board	4
6.1 Technical parameters	4
6.2 Terminal and buttons instruction	4
6.3 Control board wire diagram	5
7. Function testing.....	8
7.1 Open gate overcurrent setting.....	9
7.2 Close gate overcurrent setting.....	9
7.3 Programming setting	9
7.4 Learn remote control code	11
7.5 Motor start capacitors	11
7.6 Limited switch options (J1)	11
7.7 Terminal stop detection interface	11
7.8 Power switch	11
7.9 Upgrade control board system by USB device.....	11
8. How to operate your gate opener	12
9. Trouble shooting	12
10.Important notes	13

1. Summary

This equipment is one of the auto gate openers launched by our company adopting a new design and integrated control system. Our new sliding gate opener has many features such as: low noise, light weight, powerful starting torque, stability, reliability and is compact and stylish. The motor will still work for a short period of time using lower voltage. The control board has overload protection. When there is a power failure, the motor drive can be separated by the use of the clutch, by using the specified key the user has the ability to disconnect the clutch enabling the gate to be opened or closed manually. Using the optional infrared photocells the gate will automatically stop and re-open if an obstacle is sensed.

2. Appearance and dimensions

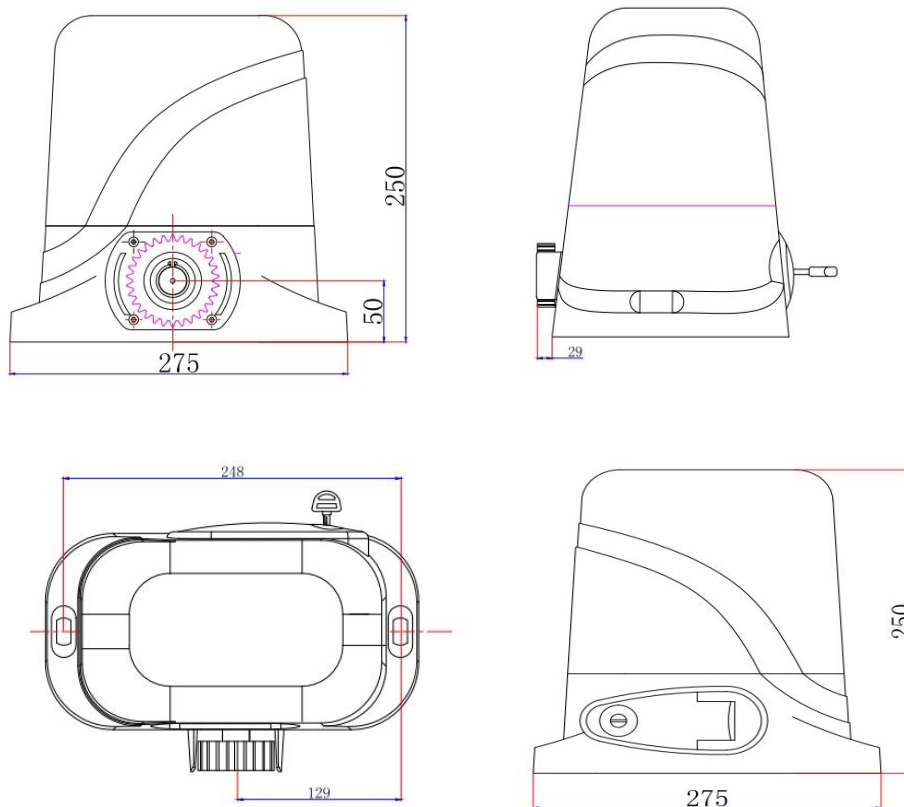


Fig 1

3. Parameters

1. Working temperature of motor: $-25^{\circ}\text{C} \sim +55^{\circ}\text{C}$
2. Working humidity: $\leq 85\%$
3. Power supply: $220\text{VAC} \pm 10\% / 110\text{VAC} \pm 10\%$ 50Hz/60Hz
4. Rated power: 90W

5. Output gear module: $M=4$
6. Output gear number: $Z=16$
7. Output torque: 22.0 N.m
8. Open(close) speed: $v=16\text{m/min}$
9. Rated speed : 1400RPM
10. Maximum pull: 1100N
11. Maximum load: 800KG
12. Net weight: 11KG
13. Remote control distance : $\leq 50\text{meter}$
14. Packing : In a standard carton
15. Protection Class : B

4. Features of sliding gate opener

1. Stylish appearance design and built-in control panel integrated inside the mechanism, no external controller or receiver needed.
2. Built in limit switch allowing the motor to switch off once the cycle is finished
3. Built in manual override with 2 supplied unique override keys in case of emergency or power failure.
4. The motor is constructed of all metal gears make it durable and long lasting.
5. Pedestrian mode
6. Condominium mode.
7. Overcurrent value and auto-closing delay time adjustable
8. Stop/Reverse in case of obstruction during gate opening and closing .
9. Easy installation, firm and solid structure, stable and reliable driving, permanently lubricated, maintaining-free.
10. Single-phase self-lock, anti-pushing, anti-lifting ,safe and reliable.

5. Installation of mechanical parts

5.1 Installation of motor

1. Depending on the installation size of the motor and mounting height of racks, after determine the installation position of the motor base plate. Install the motor on proper position ,and then fixed in that place.so that the motor can open the gate normal and operation.
2. If the rack has been installed on the door, the motor can be fixed on the base plate use a Allen key rotation to the clutch "off" position, the motor and the gear rack so as to better determine the position of the motor base plate, then remove the motor and fixed base plate.

5.2 Installation of gate opener

1. Let the sliding gate opener put on the base plate.use a random matching hexagon screw make the motor fixed on the base plate.
2. Unscrew the screws fixed the motors cover,and then remove the motor cover. According to the electrical wiring diagram ,connected the power cord,after adjust in

good position, Then install cover and use screws to fixed it.

5.3 Installation of racks

1. After the motor is installed, the racks teeth the down, then put the gear on the motors and final connected with screws and gate. push the door with hand. so can let door sliding it and can move it without any problem. after confirmed, fixed the racks.

2. Rack is usually unit assembly, in order to avoid gate run jitter or jammed, rack and joint clearance must be corrected. Suggest use this way, see fig 2. With a small correction of the rack, after connecting right with racks 1 and racks 2, then fixed racks 1 and 2.

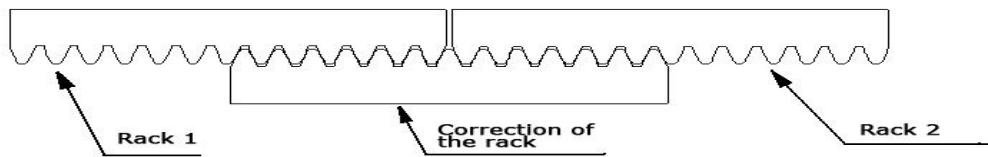


Fig 2

5.4 Installation of limit magnet

There are 2 limit magnet supplied. Note there is a left hand and a right hand magnet. The magnet should be installed one at either end of the rack. See Diagram 4

To install the magnet in the correct position, open the clutch door and press the 'CLOSE' button on the remote, the motor will run but will not drive the gate. Close the gate manually and adjust the limit magnet to contact the toggle switch and switch the motor off at the desired gate position. To adjust the stop position of the gate when it is open, press the 'OPEN' button, manually open the gate and adjust the other limit magnet to contact the toggle switch and switch the motor off.

When you are satisfied the limit magnet are in the correct positions, tighten the screws in the limit magnet to clamp them to the rack, close the clutch door and using the remote control check the gate opens and closes to the desired positions. Adjust the limit magnet if necessary.

Install the motor on the right-hand of gate

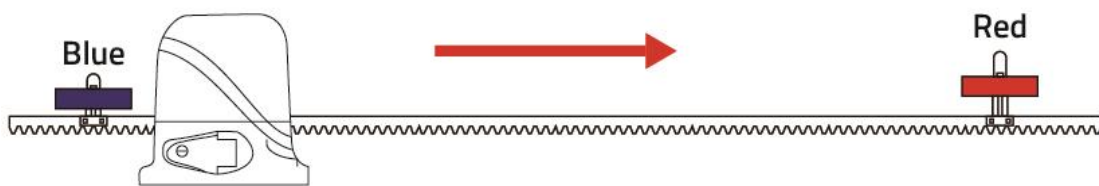
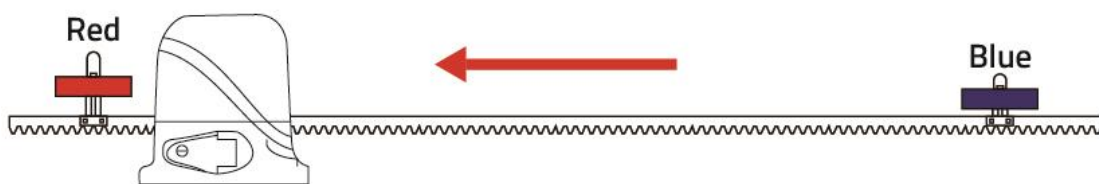


Fig 3

If you install the motor on the left of the gate, please adjust the blue and red limit magnet position as below picture show.



5.5 Function of clutch

When the clutch is opened to the open position, you can manually push the door; when closing the clutch, electric door can run on, off, when touching limiting the bezel will stop automatically.

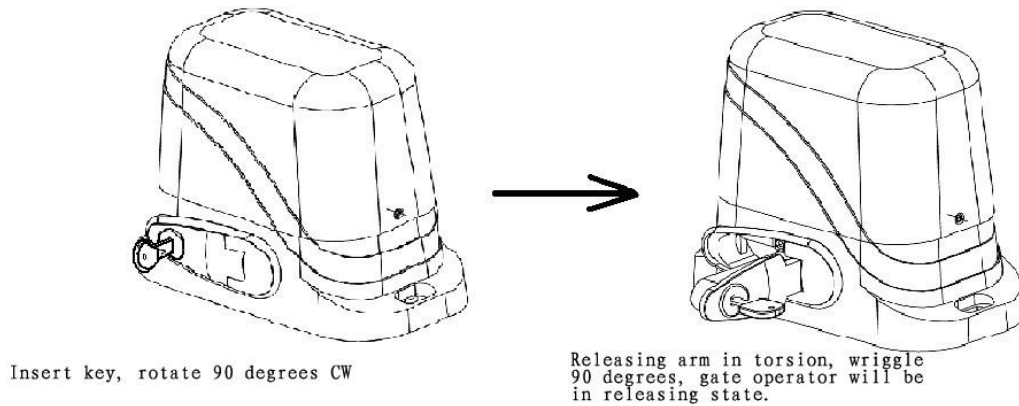


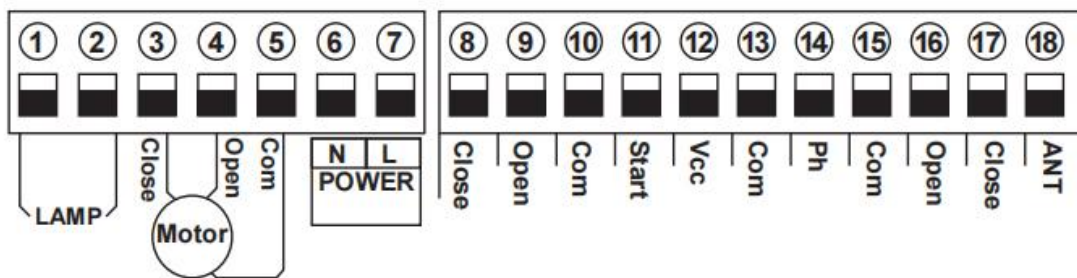
Fig 4

6. Control board

6.1 Technical parameters

1. Power supply: 220VAC±10% / 110VAC±10%
2. Application: AC sliding gate opener
3. Remote control: Giant customized rolling code
4. Remote control memory: max support 100pcs

6.2 Terminal and Buttons instruction



1&2. Lamp: used for connecting with flashing light, output voltage is AC 110V/220V.

3&4&5. Motor: used for connecting with sliding gate motor's wire.

6&7. Power: used for connecting with AC 110V/220V power.

8. Close(Limit): used for connecting with extra gate closing direction limit signal.

9. Open(Limit): used for connecting with extra gate opening direction limit signal.

10. Com: used for connecting with COM terminal or GND.

11. Start: It is a single button control mode switch for controlling the gate by "open - stop-close - stop - open" cyclically.

12. Vcc: DC 12V output used for connecting with external devices, max 200mA.

13. Com: used for connecting with COM terminal or GND.

- 14.Ph: used for connecting with the photocell sensor.
- 15.Com: used for connecting with COM terminal or GND.
- 16.Open: connect with any external devices that will operate to open the gate.
- 17.Close:connect with any external devices that will operate to close the gate.
- 18.ANT: antenna connection.
- 19.LEARN button: It is for programming/removing the remote control.

6.3 Control board wire diagram

- **Install the motor on the right-hand of gate**

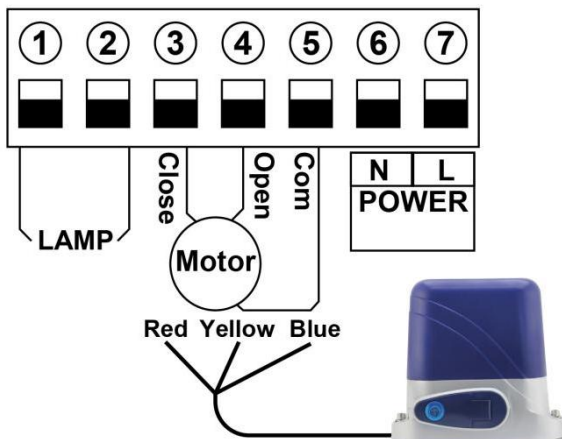


Fig 5

Terminal ③, ④ determines the forward and backward direction of the motor
 Terminal ⑤ is for connecting with Com(GND)

- **Install the motor on the left of gate**

When you want to install motor in the left of gate ,please exchange ③ and ④ motor wire.

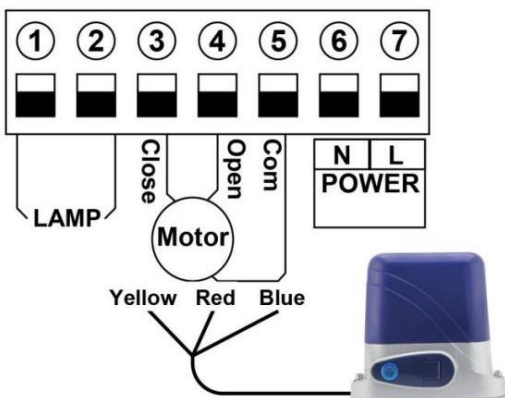


Fig 6-1

- **Connect with flash lamp**

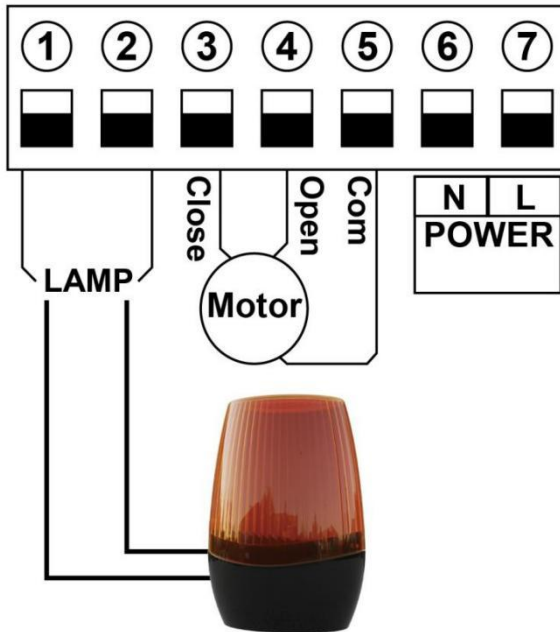


Fig 7

Terminal ① and ② are for connecting with the flash lamp .

- **Connect with safety beam**

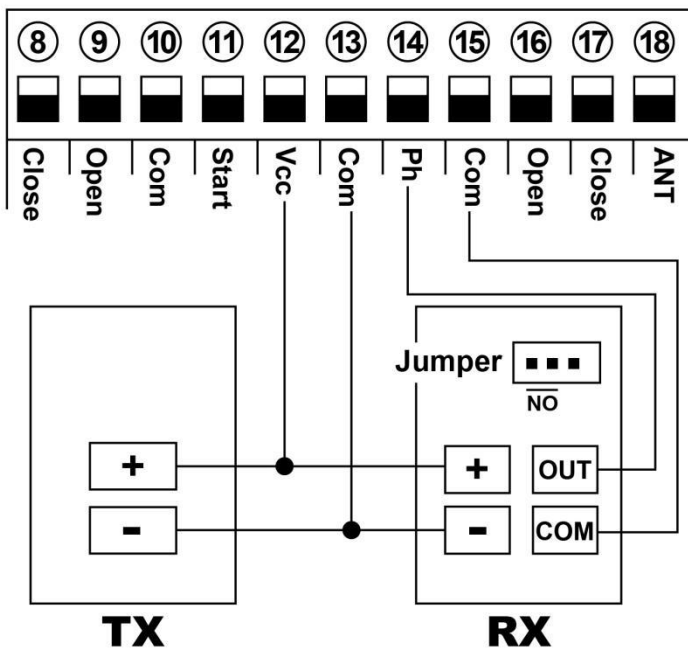


Fig 8

Connect terminal ⑮ with the “COM “ of photocell RX.
 Connect terminal ⑭ with the “OUT “ of photocell RX.
 Connect terminal ⑫ with the “+ “ of photocell RX and TX.
 Connect terminal ⑬ with the “- “ of photocell RX and TX.

- **Connect with start terminal**

Start terminal is used for connecting with some external devices , such push button, swipe card, wired keypad, receiver etc.

Control gate by “ open-stop-close-stop-open ” mode

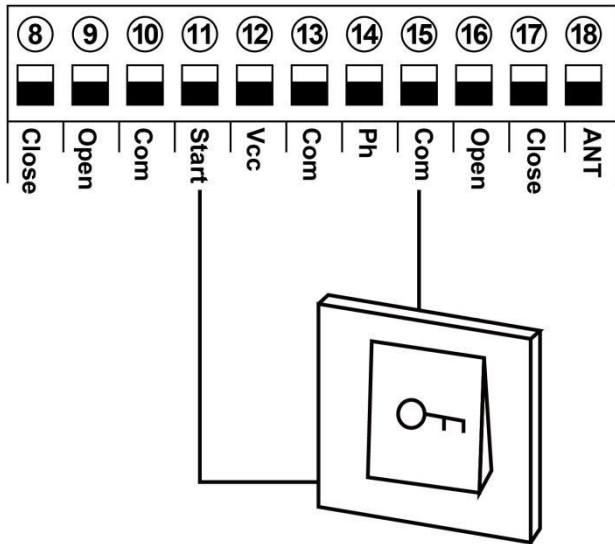


Fig 9

Terminal ⑪ and ⑮ are for connecting with the push button.

Note! If you connect the swipe card or wired keypad, etc devices, please also connect with ⑫Vcc and ⑬Com to get the power supply.

- **Connect with open gate device (Loop detector, swipe card, etc)**

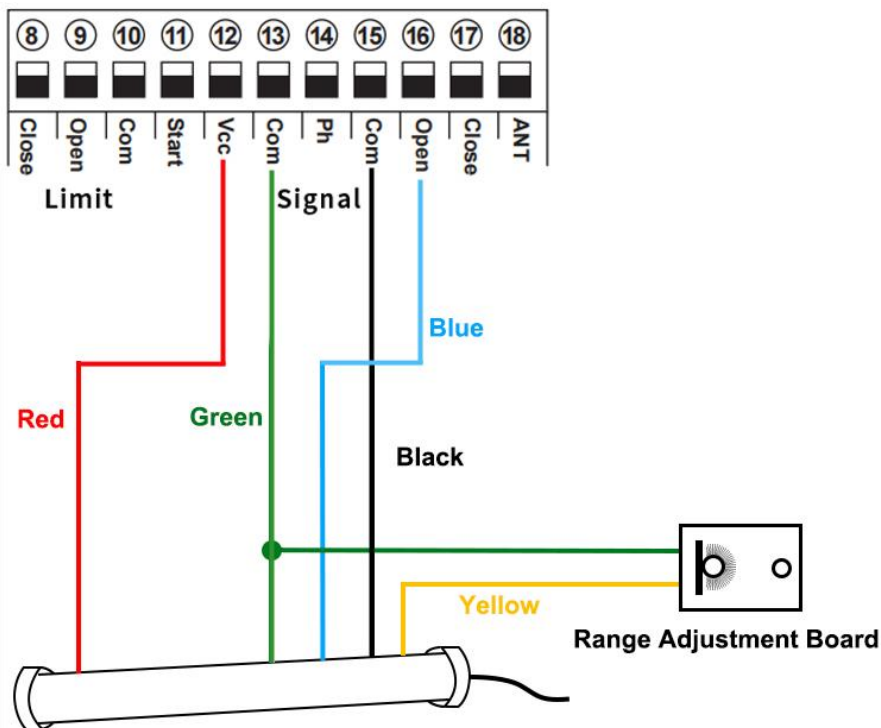


Fig 10

- **Loop detector wire information:**

Definition of the 5 –core cable:

RED →Input Voltage (+)

GREEN →Ground/Common (-)

BLACK →Relay’s Common

BLUE →Relay’s Normally Open

YELLOW →Range adjustment potentiometer (POT)

- **Loop detector wire diagram:**

Red wire: connect with terminal ⑫.

Green wire: connect with terminal ⑬ and range adjustment board.

Black wire: connect with terminal ⑮.

Blue wire: connect with terminal ⑯.

Yellow wire: connect with range adjustment potentiometer.

7.Function testing

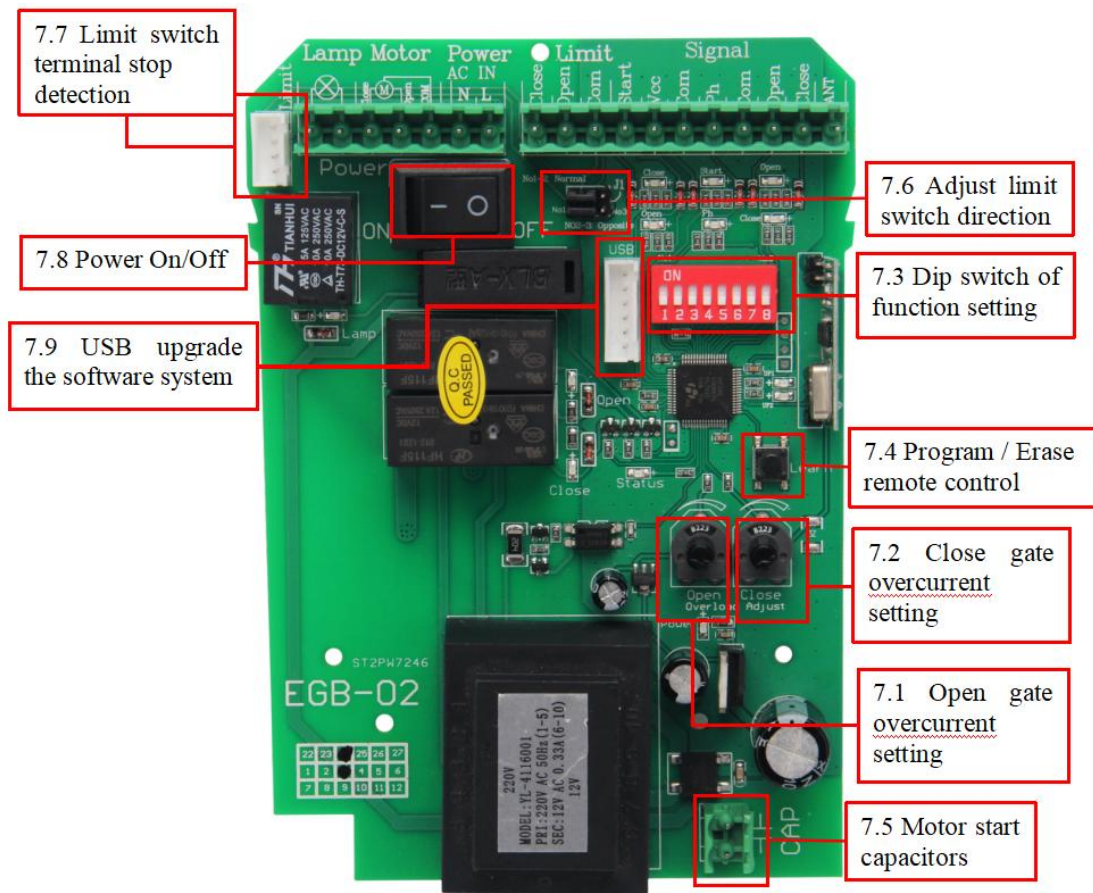
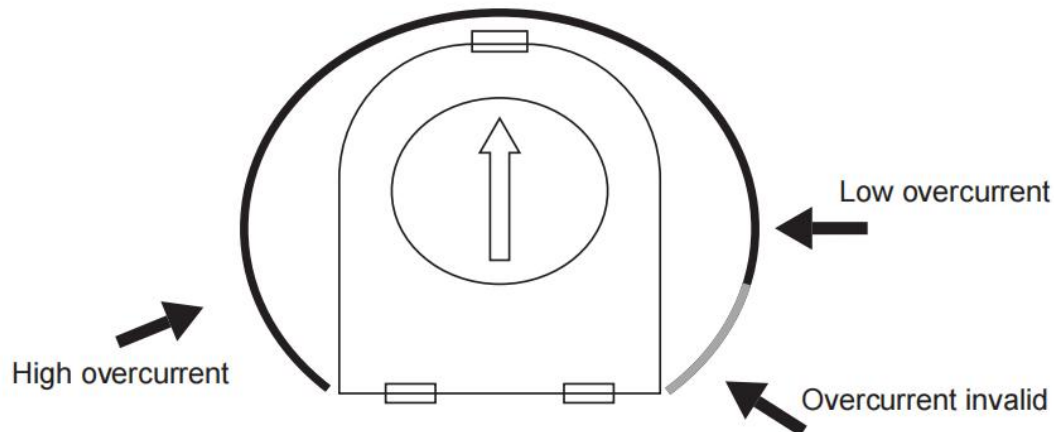


Fig 12

7.1& 7.2 Open/Close gate overcurrent setting



There are 2 potentiometer for "OPEN/CLOSE overcurrent adjust to set the open and close overcurrent value separately.

Rotate the potentiometer with clockwise direction to increase the overcurrent value, counter-clockwise to decrease the value.

- A. High overcurrent: when the motor is running, will meet some minor overcurrent, then control board will send a signal to let motor stop.
- B. Low overcurrent: when the motor is running, will meet bigger overcurrent, then control board will send a signal to let motor stop.
- C. As picture show, when pointer rotate to gray part, the overcurrent detecting is invalid.

Note:

If the overcurrent value is too low, the gate will stop or reverse very easily while there is no obstruction, or if there is additional overcurrent as strong wind, rain or snow. Otherwise, if the overcurrent value is setting too high, some impacts may not be detected, and injury or damage could occur.

7.3 Function setting by dip switch

- A. Dial-up 1: Limit mode optional
OFF: NC mode
ON : NO mode(Factory setting)

Limit switch for opening and closing gate direction setting(J1):

Normal :Short circuit cap simultaneously No1 and No2 of J1 (Factory setting)

B. Dial-up 2: Safety beam mode

- OFF: NO mode(Factory setting)
- ON: NC mode

- ✓ Please don't remove the copper wire, if you don't install the safety beam, it will cause the gate can not be closed.
- ✓ If the gate connects with a safety beam, please remove the copper wire from the safety beam terminal in the control board.

While it meet obstacles during closing, it will stop and rebound to open. After the gate move to the open position, after 2 seconds the gate will auto close again if the obstacle signal disappear. If not , it will not auto close until the obstacle signal disappear.

C. Dial-up 3 &4: Auto close time setting

Auto close function activated after gate complete open to its place and stop by limit switch.

Dial-up 3 &4, OFF-OFF: Auto close function disabled(Factory setting)

Dial-up 3 &4, ON-OFF: 10S

Dial-up 3 &4, OFF-ON: 30S

Dial-up 3 &4, ON-ON: 60S

D. Dial-up 5&6: Auto-closing timer for swipe card terminal triggering

When remote control triggers the pedestrian mode (remote control button 2 or 4), the gate will stop after open 6s. If auto close function activated, the gate will auto close after gate open to 6s. Auto close time setting as follows:

Dial-up 5 &6, OFF-OFF: Auto close function disabled(Factory setting)

Dial-up 5 &6, ON-OFF: 5S

Dial-up 5 &6 , OFF-ON: 10S

Dial-up 5 &6 , ON-ON: 30S

Note:

1. When the motor is running, the motor will stop immediately if triggers pedestrian mode
2. After triggering the pedestrian mode to open the gate for 6s, no matter it enter the countdown to close the gate or stop status, If trigger again, the gate will close the gate immediately.

E. Dial-up 7: Condominium mode setting

OFF: Condominium mode disabled(factory setting)

ON: Condominium mode activated

When the gate is opening, trigger remote control and the start interface are invalid until the door is opened.

When the gate is closing, trigger remote control and the start interface , the gate will stop to close and auto open until the opening limit is reached (the remote control and the start interface are invalid when the gate is opening).

F. Dial-up 8: Remote control buttons mode

OFF: Single button control circularly

First button control gate open,stop, close, second button use for pedestrian mode

ON: Three buttons control

First button control gate open, second button control gate close, third button control gate stop, fourth button use for pedestrian mode

Not: Please choose the remote control mode firstly before remote control code clearing to control board

7.4 Program and erase remote control

The control board can memory more than 100 pcs remote control.

● **Program the remote:** Press the learn button for at least 1 second and then release, the LED indicator will light on. Now user needs to press the button on the remote control, with the learn button indicator LED flash twice, which means the code learning is successful.

After the user presses the learn button, within 6 seconds, if the controller doesn't receive the signal from the remote, the controller's LED indicator will turn out and exit the code learning statute.

● **Erase the remote:** Press and hold the learning button for 6 seconds, while the learn button indicator LED light on and flash twice, release the button. Now all remotes can not control the gate.

7.5 Motor start capacitors

Capacitors are connected with control board before use motor, please confirmed the interface of capacitors is secure.

7.6 Adjust the limit switch stop direction (J1)

Limit switch is used to switch terminal stop detection interface, that direction of open and close the gate.

7.7 Limit switch terminal stop detection

Terminal for connecting with the limit switch, such as spring limit or magnetic limit.

7.8 Power switch

Switch on /off power stop when the user plan to adjust the parameters on the control board.

7.9 Upgrade control board system by USB device

Power off the control board, set up the U disk and upgrade files as required, install the U disk upgrade module in the USB port on the control board, press and hold the Learn button, power on the system, release the button after 3 seconds, the UP1 and UP2 indicators flash quickly to enter the program upgrade burning interface, and the system will automatically restart and enter normal operation after the upgrade is successful.

Status indication description:

1. The UP1 and UP2 indicators flash alternately, indicating that the firmware is being upgraded and written to the chip.
2. The UP1 light is always on and the UP2 light is off, indicating that the U disk mode initialization failed. Please check whether it is plugged in properly.
3. The UP1 light is off and the UP2 light is always on, indicating that the U disk reading failed. Please check whether the U disk is connected or re-plug the U disk.
4. The UP1 light is always on and the UP2 light is always on, indicating that the upgrade file reading failed. Please check whether the firmware file to be upgraded is stored, or the file naming does not match.
5. All upgrade files of this series are named EGB-02.BIN.

Note:

1. You must use our U disk module (EG-USB).
2. The USB flash drive used for the first time needs to be formatted as FAT32. After the upgrade, the original RF pairing data and menu setting data are still there.

8.How to operate your gate opener

Each remote has 4 buttons, there are two remote control modes for optional. The factory setting is a single-button control mode. If you want to change to use the three-button control mode, please reference the data set of dip switch 8.

- Single button control mode: the 1st remote button is used to control the gate as “open-stop-close-stop”, the 2nd button is used to control the PED mode. Then if needed, the 3rd and 4th button can be programmed into another gate opener controller, same function as the 1st and 2nd button.
- Three-button control mode: remote 1st button to control gate open, 2nd button to control gate close, 3rd button to control gate stop. 4th button to control gate PED mode.

9.Maintenance

- 1.The rack and drive gear should be kept clean. Do not attach any objects to the gate that may interferewith the rack or drive gear.
- 2.Should frequent clean the sundries on the magnet limit.
- 3.Lubricate all moving parts every 3 months.
- 4.If the control board is fitted with an optional back up battery, check the condition once a month and replace if necessary.
- 5.Check power cables and conduit have not been damaged.
- 6.During heavy rainfall or light flooding ensure the motor housing has had no ingress of water.

10.Trouble shooting

Problem	Possible causes	Repair method
Gate fails to operate	<ol style="list-style-type: none"> 1. Check the clutch states ,power-driven state or not ? 2. Power no indication, and power trip. 3. The fuse has broken 4. Remote control failure or invalid 5. Damaged power cable 6. Remote control or motor problem 	<ol style="list-style-type: none"> 1.Recovery 2.To restore power 3.Change the fuse 4.Detection or change 5.Detection and Repair 6.Detection and Repair
Working distance of remote control reduced	<ol style="list-style-type: none"> 1. Low battery power or damaged 2. Interference from equipment using the same frequency 3. The receiver of controller was damaged 	<ol style="list-style-type: none"> 1.Replace battery 2.Wait eliminate interference 3.Replace the control board
Gate fails to stop at start or end position	<ol style="list-style-type: none"> 1.The terminal stop toggle switch is damaged or obstructed. 2. Limit switch of the motor and the limit detection of the interface PCB board plug off. 3. Limit of open and close is in wrong position. 	<ol style="list-style-type: none"> 1.Replace toggle switch or remove obstruction 2.Insert and fixed it 3.Adjust of limit switch(J1)
Press open and close key of motor, but cant working and operate	<ol style="list-style-type: none"> 1. Overcurrent value is setting too high(set too bigger) 2. The gate has lifted off the track and disengaged the drive gear from the rack 	<ol style="list-style-type: none"> 1.Decrease the overcurrent value ,and check gear and racks can operate normally. 2.Maintenance and replace.